



# Multimite® 79 Series

## 4- and 5-way Trunnion Valves

Multimite® 4-way, or dual switching valves allow two distinct flow paths to be used at the same time. The 5-way, or diverter valves offer the same functionality as 3-way valves except with four alternate paths.



### Typical Applications

#### 4-way valves

- Actuator cycling
- Pressure selecting and venting
- Alternate sampling and distribution

#### 5-way valves

- Sampling systems
- Distribution systems
- Instrument range selection

### Technical Data

<b>BODY MATERIAL*</b>	316 stainless steel, brass, Monel®
<b>OPERATING PRESSURE RANGE @ 70° F (21° C)</b>	TFE Seats Moderate vacuum** to 2000 psig (138 bar) Nylatron® Seats Moderate vacuum** to 6000 psig (414 bar)
<b>OPERATING TEMPERATURE RANGE</b>	• TFE seats: 0° F to +350° F (-18° C to +177° C) • Nylatron® seats: 0° to +250° F (-18° C to +121° C)
<b>ORIFICE SIZES</b>	• 4-way models: 0.166" (4.2mm) • 5-way models: 0.187" (4.7mm)
<b>Cv FACTORS</b>	0.47 to 0.66
<b>END CONNECTIONS</b>	¼" Gyrolok® ¼" female NPT

\* Consult factory for other materials

\*\* Moderate vacuum is 10<sup>-3</sup> to 20 torr

### Features & Benefits

- Blowout-proof stem for added safety
- Spring-loaded detent engages every 90° to indicate full port position, increasing operator confidence.
- Trunnion bearings eliminate galling, increasing valve life and reducing cost of ownership.
- A wide variety of HOKE Gyrolok® end fittings or pipe fittings provide the correct fitting option for the application.
- Special High Tolerance NPT Thread

ball valves

### HOKE Incorporated

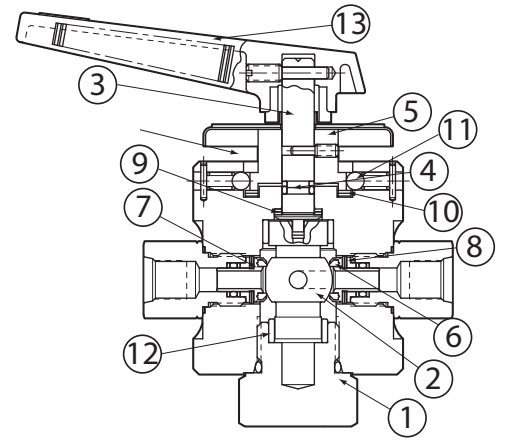
405 Centura Court • PO Box 4866 (29305) • Spartanburg, SC 29303  
Phone (864) 574-7966 Fax (864) 587-5608  
www.hoke.com • sales@hoke.com

# Multimite® 79 Series

## Materials of Construction

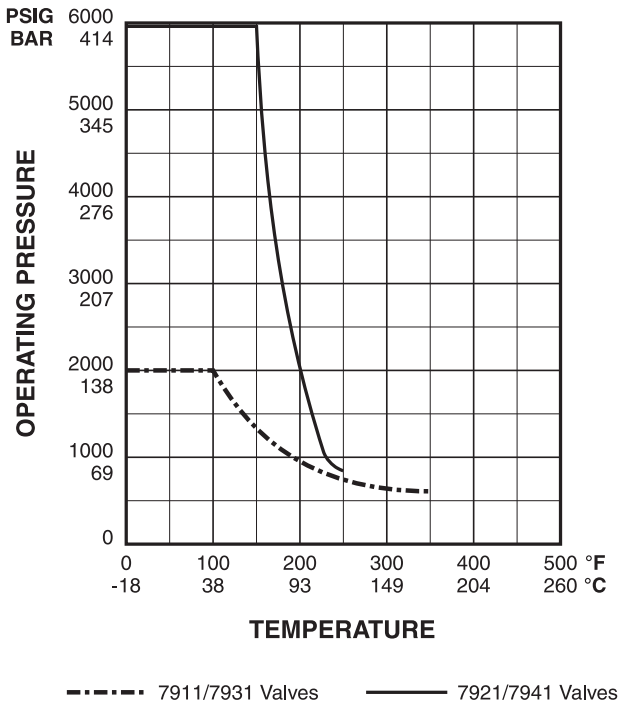
DESCRIPTION	2000 PSIG MODELS	6000 PSIG MODELS
1 Body	316 stainless steel	316 stainless steel
2 Trunnion	316 stainless steel	316 stainless steel
3 Stem	316 stainless steel	316 stainless steel
4 Stem packing†	Viton®	Viton®
5 Stem bushing	316 stainless steel	316 stainless steel
6 Seats	TFE	Nylatron®
7 Seat retainers	316 stainless steel	316 stainless steel
8 Seat washers†	Viton®	Viton®
9 Thrust washer	Rulon®	Nylatron®
10 Friction & wave washers	Nylon & 302 stainless steel	Nylon & 302 stainless steel
11 Spring & ball detent	302 stainless steel & 440 CSS	302 stainless steel & 440 CSS
12 Bearings	TFE	Nylon/TFE (fiberglass filament wound backing)
13 Handle	Nylon	Nylon

† Other elastomers are available upon request. Contact your local distributor.



Panel Mounting

## Pressure vs. Temperature Curve

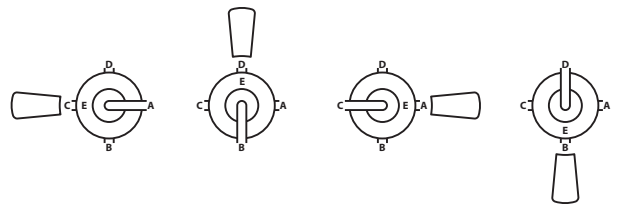
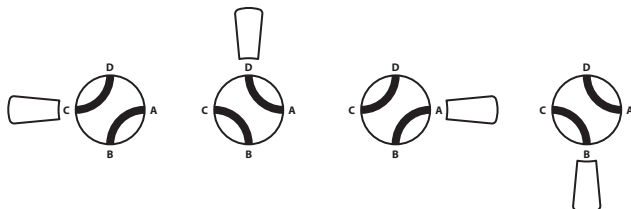


## Flow Diagrams 4-way & 5-way

### Flow Patterns

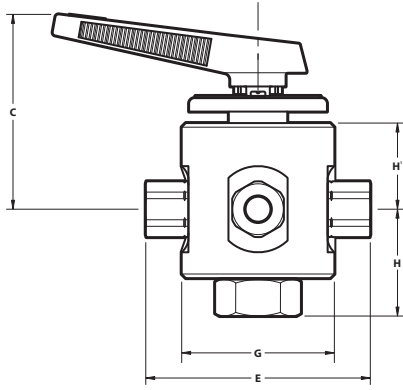
4-way models indicate ports connected

5-way models indicate side ports in use



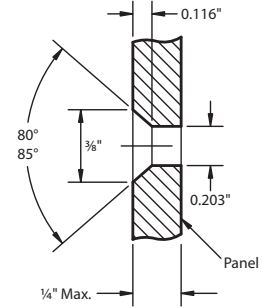
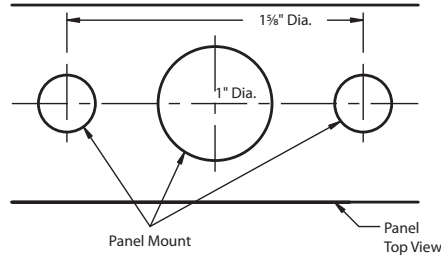
# Multimite® 79 Series

## Dimensions



END CONNECTIONS		C	E	G	H	H¹
¼" Gyrolok® for 4-way valves	inch	2⅞	3 <sup>29</sup> / <sub>32</sub>	2¼	1 <sup>9</sup> / <sub>16</sub>	1¼
	mm	73	99	57	40	32
¼" Gyrolok® for 5-way valves	inch	2⅞	3 <sup>29</sup> / <sub>32</sub>	2¼	2½	1¼
	mm	73	99	57	64	32
¼" female NPT (4- and 5-way)	inch	2⅞	3¼	2¼	1 <sup>9</sup> / <sub>16</sub>	1¼
	mm	73	83	57	40	32

## Panel Mounting Dimensions



Dimensions for reference only, subject to change.

## How to Order Standard Valves



7911G4Y



7931G4Y

### Multimite® 7911, 7921 Series 4-way Models

END CONNECTIONS	ORDER BY PART NUMBER			
	2000 PSIG @ 350° F (138 BAR/177° C)		6000 PSIG @ 250° F (414 BAR/121° C)	
	TFE SEATS	NYLATRON® SEATS	ORIFICE	Cv
¼" Gyrolok®	7911G4Y	7921G4Y	0.166" (4.2mm)	0.47
¼" female NPT	7911F4Y	7921F4Y	0.166" (4.2mm)	0.54

### Multimite® 7931, 7941 Series 5-way Models

END CONNECTIONS	ORDER BY PART NUMBER			
	2000 PSIG @ 350° F (138 BAR/177° C)		6000 PSIG @ 250° F (414 BAR/121° C)	
	TFE SEATS	NYLATRON® SEATS	ORIFICE	Cv
¼" Gyrolok®	7931G4Y	7941G4Y	0.187" (4.7mm)	0.51
¼" female NPT	7931F4Y	7941F4Y	0.187" (4.7mm)	0.66

## Ordering Options



### Electric Actuators

For remote control of Multimite® 79 Series valves, order an electric actuator. Electric actuators are supplied in either 115 VAC or 24 VDC with weatherproof or explosion-proof housings. Refer to HOKE's *Actuator Catalog* (79005) or contact your local factory-authorized distributor for more details.

### Spare Parts

Spare parts and repair kits are available for all ball valves. Please contact your distributor for specific information.

### Cleaning and Testing

When ordering, please specify if oxygen cleaning or helium leak testing is required.

### Additional Sizes

Additional sizes and options are available on special request. Please consult your local HOKE distributor.