

**Physical Address:**

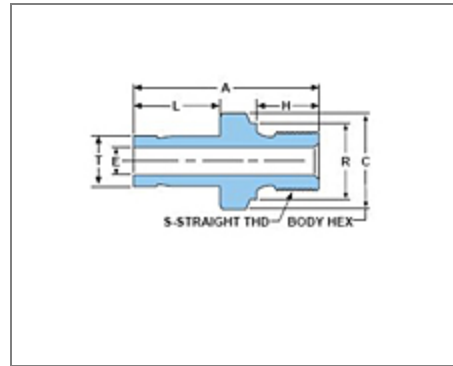
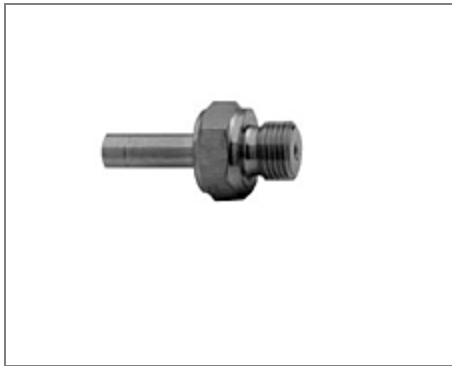
CRANE Instrumentation & Sampling
 405 Centura CT,
 Spartanburg, SC 29303-6603
 Phone: (864) 574-7966
 Fax: (864) 587-5608
 Email: [Click Here](#)

Mailing Address:

HOKE
 PO Box 4866,
 Spartanburg, SC 29305-4866

Item # 4AM4316EA, Male Adapter: AM/EA

connects **fractional** port to female RS parallel threads



Specifications

Thread	RS
Material	316 Stainless Steel
T - Tube O.D.	1/4 in 
S - Straight Thread	1/4
A	1.39 in
C - Hex Flat	3/4 in
E Min	.19 in
H	.47 in
R	.70 in

L

.69 in