



Physical Address:

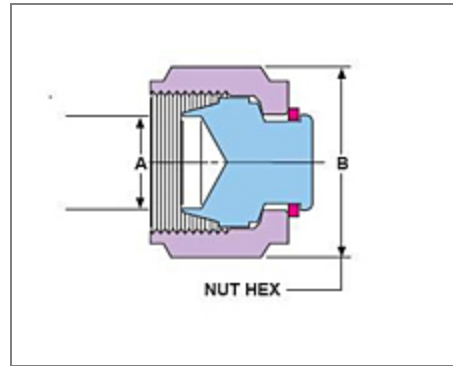
CRANE Instrumentation & Sampling
 405 Centura CT,
 Spartanburg, SC 29303-6603
 Phone: (864) 574-7966
 Fax: (864) 587-5608
 Email: [Click Here](#)

Mailing Address:

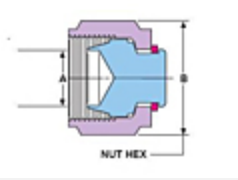
HOKE
 PO Box 4866,
 Spartanburg, SC 29305-4866

Item # 8PTIMM, Plug: P/MM

metric for Gyrolok ports



Specifications

Material	Titanium
A - Fitting Size	8 mm 
B - Hex Flat	15.9 mm