

**Physical Address:**

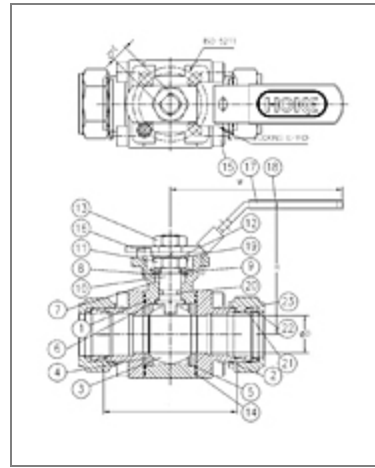
CRANE Instrumentation & Sampling
 405 Centura CT,
 Spartanburg, SC 29303-6603
 Phone: (864) 574-7966
 Fax: (864) 587-5608
 Email: [Click Here](#)

Mailing Address:

HOKE
 PO Box 4866,
 Spartanburg, SC 29305-4866

Item # 7520G4Y, 3-Piece Full Port Ball Valves (GYROLOK End tube fittings)

3-Piece Full Port Ball Valves, GYROLOK End tube fittings, 1/4" -1/2":3000PSI (207 Bar) W.O.G,3/4"-1":2000PSI (138 Bar) W.O.G
 Enclosed Bolt Type,ISO 5211 Direct Actuator Mounting Pad



[Specifications](#) | [Features](#) | [Family Features](#)

Specifications

Type of Handle	Leveler
SIZE	1/4 in
D	0.43 in
L	2.62 in
E	0.35 in
H	2.68 in
W	5.31 in

Maximum Operating Pressure	207 bar 3000 psi
Material Body	ASTM A351-CF8M/316

Features

- Strengthened construction fully complied with ASME/ANSI B16.34 secures 3000 psi/2000 psi working pressure rating.
- Fully encapsulated bolts are protected from the environment for extended service life.
- Live-loaded packing gland design for self-adjustment of packing compression.
- Equalized cavity pressure hole drilled in the stem slot of ball.
- Bottom-loaded blow-out proof stem.
- Pressure equalizing seats
- Basic design complies with ANSI B16.34.
- Tested according to API 598
- Gyrolok® Tube Fitting End Connections
- Part number and brand embossed on body
- Optional oval handle available (uninstalled)

Family Features

- Low Pressure Design for Non-Critical Service
- Includes High Tolerance NPT Thread or Unique Gyrolok® Tube Connections
- Stainless Steel Construction
- Locking Handles