

**Physical Address:**

CRANE Instrumentation & Sampling
 405 Centura CT,
 Spartanburg, SC 29303-6603
 Phone: (864) 574-7966
 Fax: (864) 587-5608
 Email: [Click Here](#)

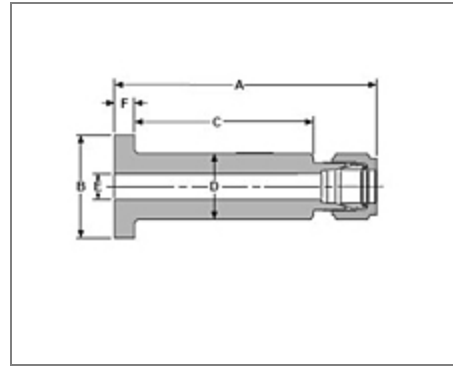
Mailing Address:

HOKE
 PO Box 4866,
 Spartanburg, SC 29305-4866

Item # 8CLFA316, Lapped Flange Connector: CLF

Fractional

The Lapped Flange Connector is used to allow safe and easy connections between process lines and instruments. The basic, one-piece unit consists of a HOKE Gyrolok tube connection end and a 1/2" lap joint pipe flange. The flange end is dimensioned to meet "ANSI 2500" flange specifications. Available in "Smooth" or "Serrated/Concentric" seal faces, and in 316 Stainless Steel or Monel.



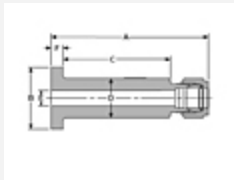
Specifications

Material

316 Stainless Steel

T - Tube O.D.

1/2 in

**A**

3.47 in

B

1.38 in

C

2.28 in

D

.88 in

E Min	.42 in
F	.25 in
Flange Seal	A
Finish	3.2 - 6.3 Micrometer (Ra)