

**Physical Address:**

CRANE Instrumentation & Sampling
 405 Centura CT,
 Spartanburg, SC 29303-6603
 Phone: (864) 574-7966
 Fax: (864) 587-5608
 Email: [Click Here](#)

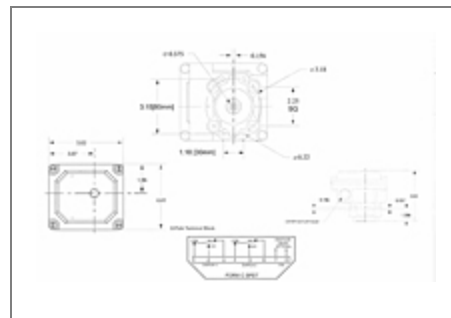
Mailing Address:

HOKE
 PO Box 4866,
 Spartanburg, SC 29305-4866

Item # ZASAC-21110, NEMA 7 Position Monitor

Fully compatible with Hoke 07L Series pneumatic actuators, the NEMA 7 position monitor provides both electrical and visual verification of valve status. This device is especially useful in hard to reach areas including exhaust stacks, tanks, and areas where digital feedback is not readily available.

To order factory installation, add "/ZASAC-21110 to end of 7 Series part number



[Specifications](#) | [Features & Benefits](#)

Specifications

| | |
|------------------------------------|--------------------------------|
| Housing | NEMA 7 Aluminum |
| Bearing | 316 stainless steel |
| Proximity Switches | 2 switches, 3-amps |
| Voltage | 120 Volts AC/DC |
| Wattage | 100 W |
| Operating Temperature Range | -40 to 257 °F -40 to 125 °C |
| Terminal Type | 8-pole fixed terminal strip |

Mounting

80mm x 20mm NAMUR mounting

Features & Benefits

- Aluminum housing with powder-coated epoxy finish provides rugged protection for years of maintenance free service
- 90° Black/Yellow indicator provides clear position indication
- Separate 1/2" female threaded conduit openings for installation flexibility
- Setting system utilizes an internal leaf spring design that precisely positions and locks onto a splined shaft
- Cam system is easy to adjust, and includes a 303 stainless steel 1/4" NAMUR shaft
- Hermetically-sealed switches offer high level protection from moisture, shock, and corrosive environments for long life, accuracy and reliability